

**3-PHASES**

AVAILABLE IN 480 V

AVAILABLE IN 60 Hz

AVAILABLE IN  
LEFT VERSION  
GRT12SX



1946

**GRT12**

**ELECTRIC 3-PHASES CUTTING UNIT**

GRT12. Powerful professional cutting unit for continuous cutting processes in Textile & Technical Textile applications.



# ELECTRIC 3-PHASES CUTTING UNIT GRT12



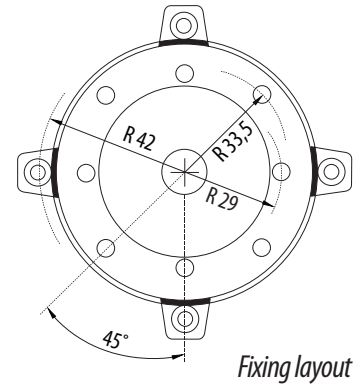
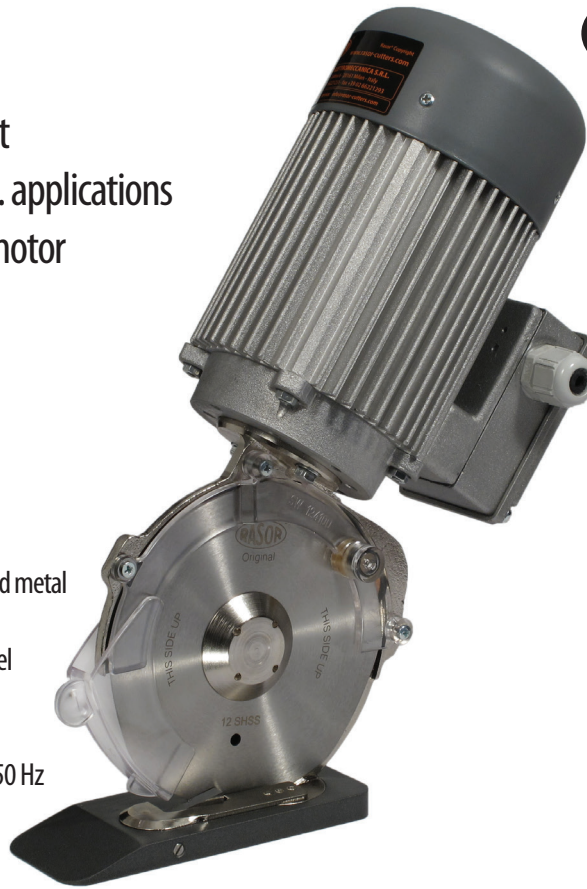
## WHAT'S NEW:

- Low-friction Teflon coated foot
- Easy fixing structure for O.E.M. applications
- Maintenance-free industrial motor

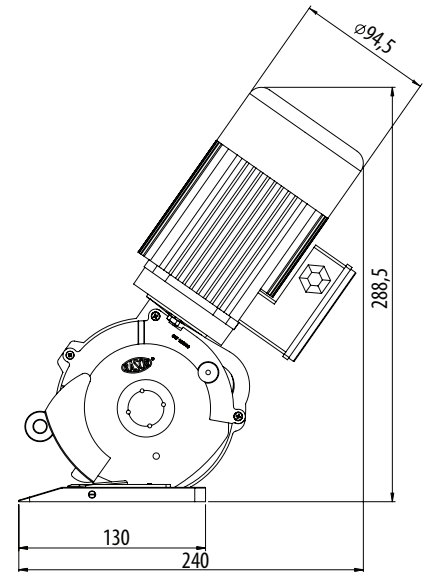
**AVAILABLE IN 480 V**  
**AVAILABLE IN 60 Hz**

## TECHNICAL DETAILS:

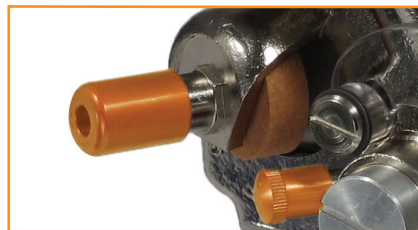
- Blade diameter:** 120 mm (4.7"), with hard metal counterblade
- Blade equipped:** 12SHSS, 8-edges, HSS steel
- Blade speed:** 400 r.p.m.
- Cutting ability:** up to 50 mm (2")
- Motor:** 3-phase asynchronous 380/400V, 50 Hz
- Power:** 180 W
- Max. absorption:** 0.52 A
- Protection:** IP20 - CL F
- Net weight:** 4650 g (with power supply cord)
- Total weight (with packing box):** 6350 g
- Electric cable length:** 1.5 mt (with no plug)
- Minimum brightness for working operations:** LUX 200
- Vibrations at start up:** < 2.5 m/sec<sup>2</sup>
- Temperature range:** 0 – 55 C
- Umidity range:** 10 – 95% without condensate



Fixing layout



Dimension layout



Sharpening device

## BLADES AVAILABLE:

**12SHSS**, 120 mm 8-edges, HSS steel | **12CHSS**, 120 mm circular, HSS steel | **12DHSS**, 120 mm 12-edges, HSS steel | **12SHSSTF**, 120 mm 8-edges, HSS steel Teflon® coated | **12SHSSTN**, 120 mm 8-edges, HSS steel Titanium coated | **12DHSSTN**, 120 mm 12-edges, HSS steel Titanium coated | **12SMD**, 120 mm 8-edges, Carbide (Widia®)



PETRONI SRL  
Via A.Bucchi, 1/B  
06012 Città di Castello (PG)  
+39 075/852.07.87  
[www.petronisrl.it](http://www.petronisrl.it)